

Integrated Vent IV100

Application

The integrated vent IV100 from J.A. Plast is a discreet solution for air outlet from living quarters like kitchen, bathroom, and laundry room or as stack pipe.

Please refer to national standards.

- **Ø110 mm adapter**
- **Can be manufactured for any profile**
- **For pitched roofs**
 - Slate 300x600 mm min. 25°
 - Slate 250x500 mm min. 30°
 - Clay and concrete min. 22.5° but depending on profile

Design

The IV100, designed for discreet efficiency. It has a built-in water stop concealed under the roof, which diverts rainwater safely back onto the roof surface. A protective grille keeps out insects and drifting snow. The vent is supplied installed in a base plate shaped to fit the roof profile 100%.

Easily installed with the rest of the roofing material, the vent presents a very discreet ventilation solution.

Colour and Surface

Special coloured, glossy or structured with sand or granules the vents can be supplied with a 100% colour and surface match individually adjusted to each roofing material.

Materials

Vent and adapter: HIPS (High Impact Polystyrene).

Tubivent: PP (PolyPropylene).

Handling

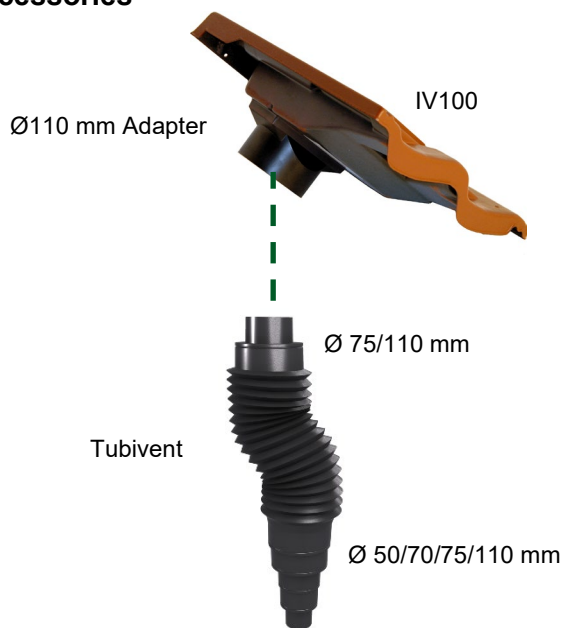
Keep in original packaging during transport.

Do not wrap and expose to heavy load during transport.

Remove plastic bag before placing in sunlight.



Accessories



Roofing accessories supplied from J.A. Plast match roof profile, colour and surface 100%. The current product list and further information can be found on our homepage, www.japlast.com.